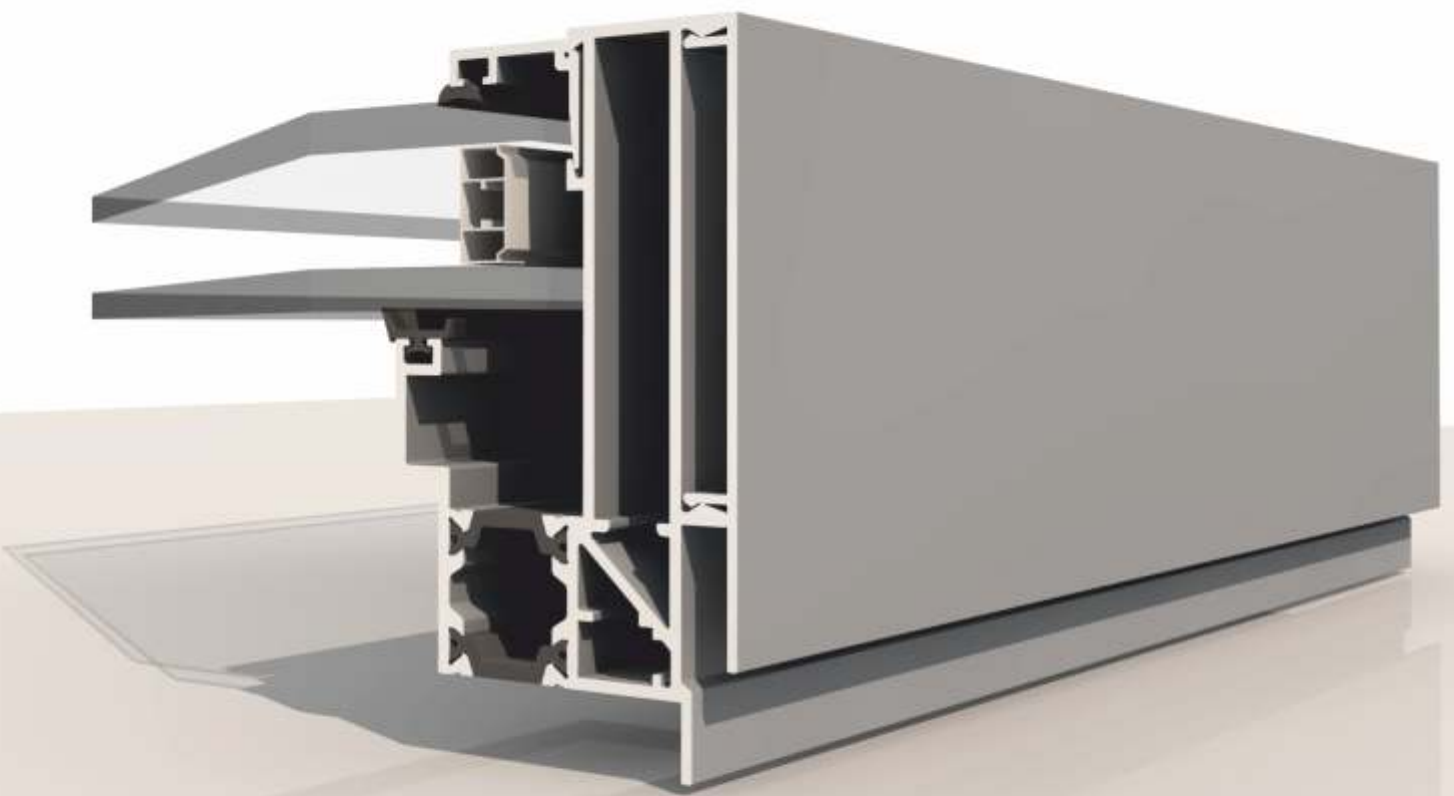
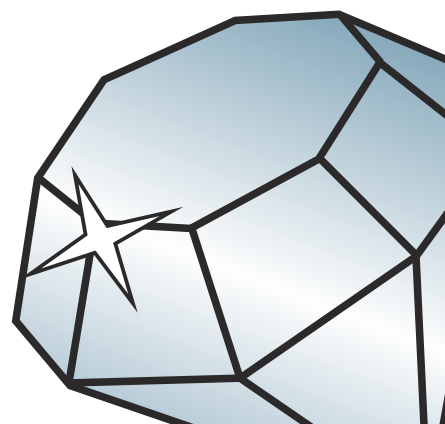


# Slim Flat Roof

## Section Identification Guide



DURATION  
WINDOWS



# Contents



## **Profiles**

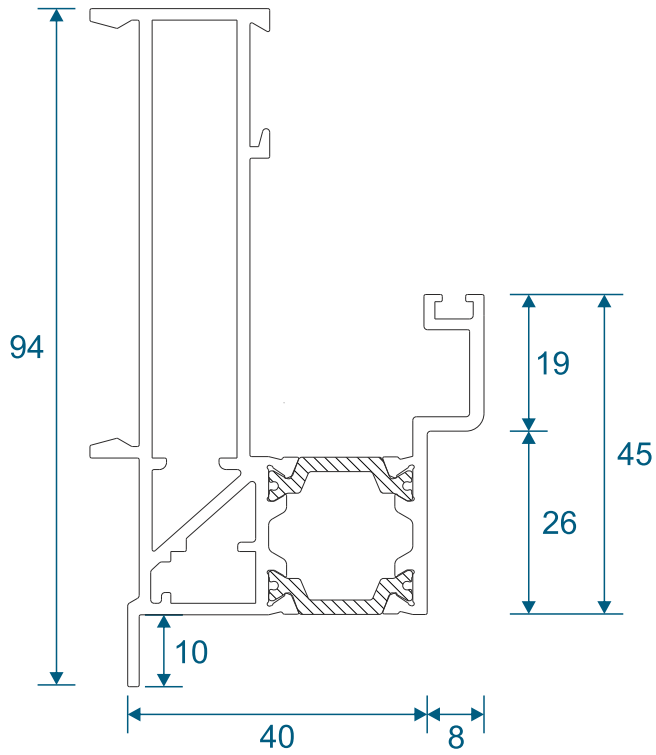
Main Frame & Transom	3
Cover Plate, Beads & Gaskets	4
Roof Vents	5

## **Section Drawings**

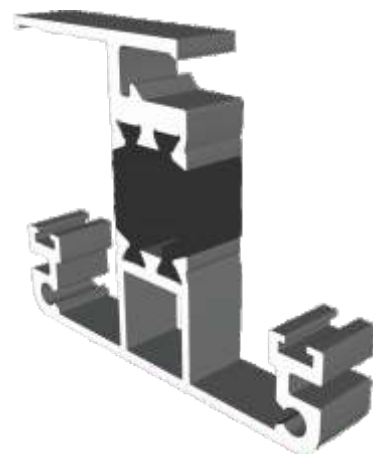
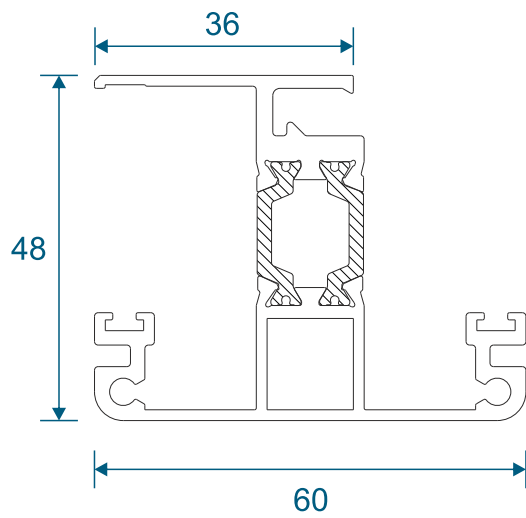
Main Frame & Transom	6
Roof Vents	7

# Main Frame & Transom

## ABD313-315 - Main Roof Frame

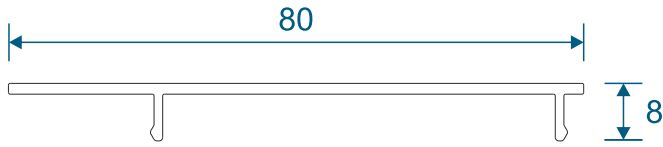


## ABD312 - Transom

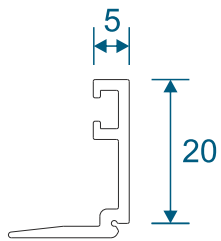


# Cover Plate, Beads & Gaskets

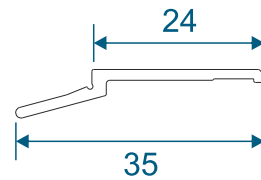
**ABD314 - Main Frame Cover Plate**



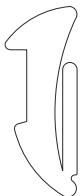
**ABD246 - Main Frame Bead**



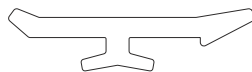
**ABD244 - Transom Bead**



**ABD302 - Wedge Gasket**



**ABD303 - Retained Gasket**

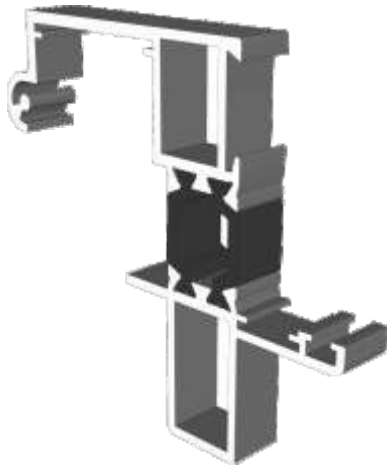
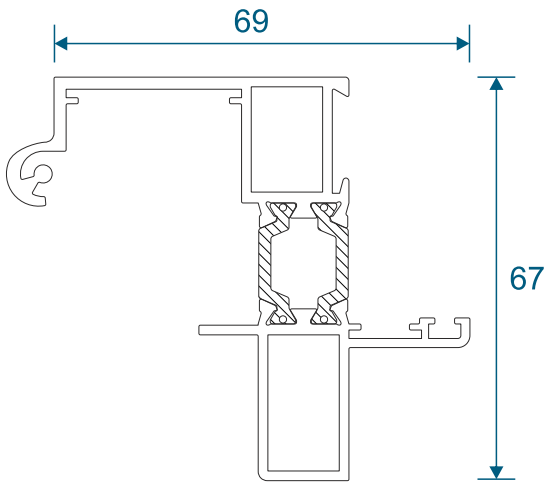


**ABD305 - Transom Wedge**

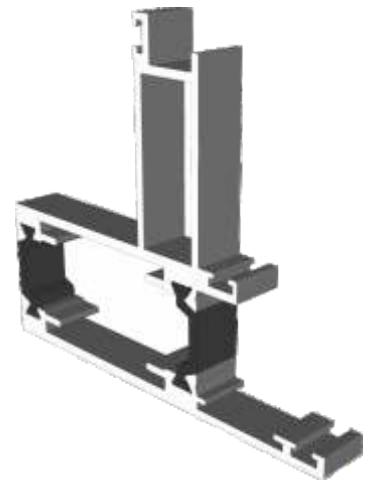
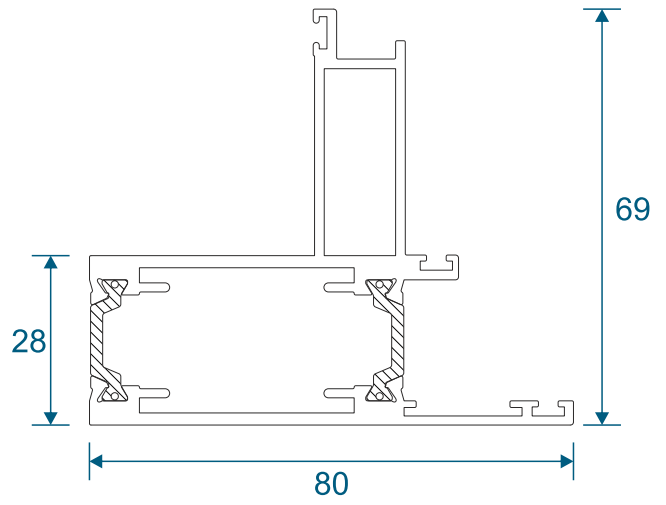


# Roof Vents

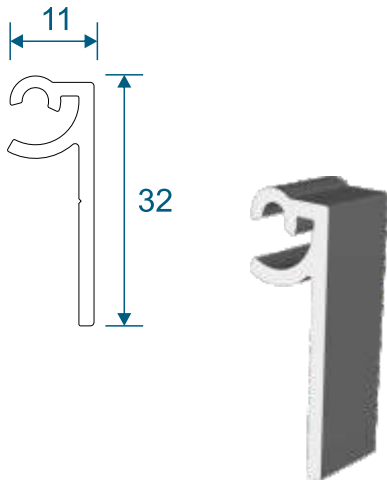
**ABD232-233 - Roof Vent Sash**



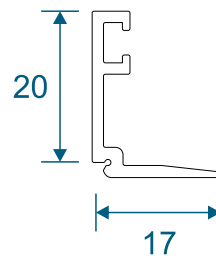
**ABD230-231 - Roof Vent Frame**



**ABD245 - Roof Vent Hinge**

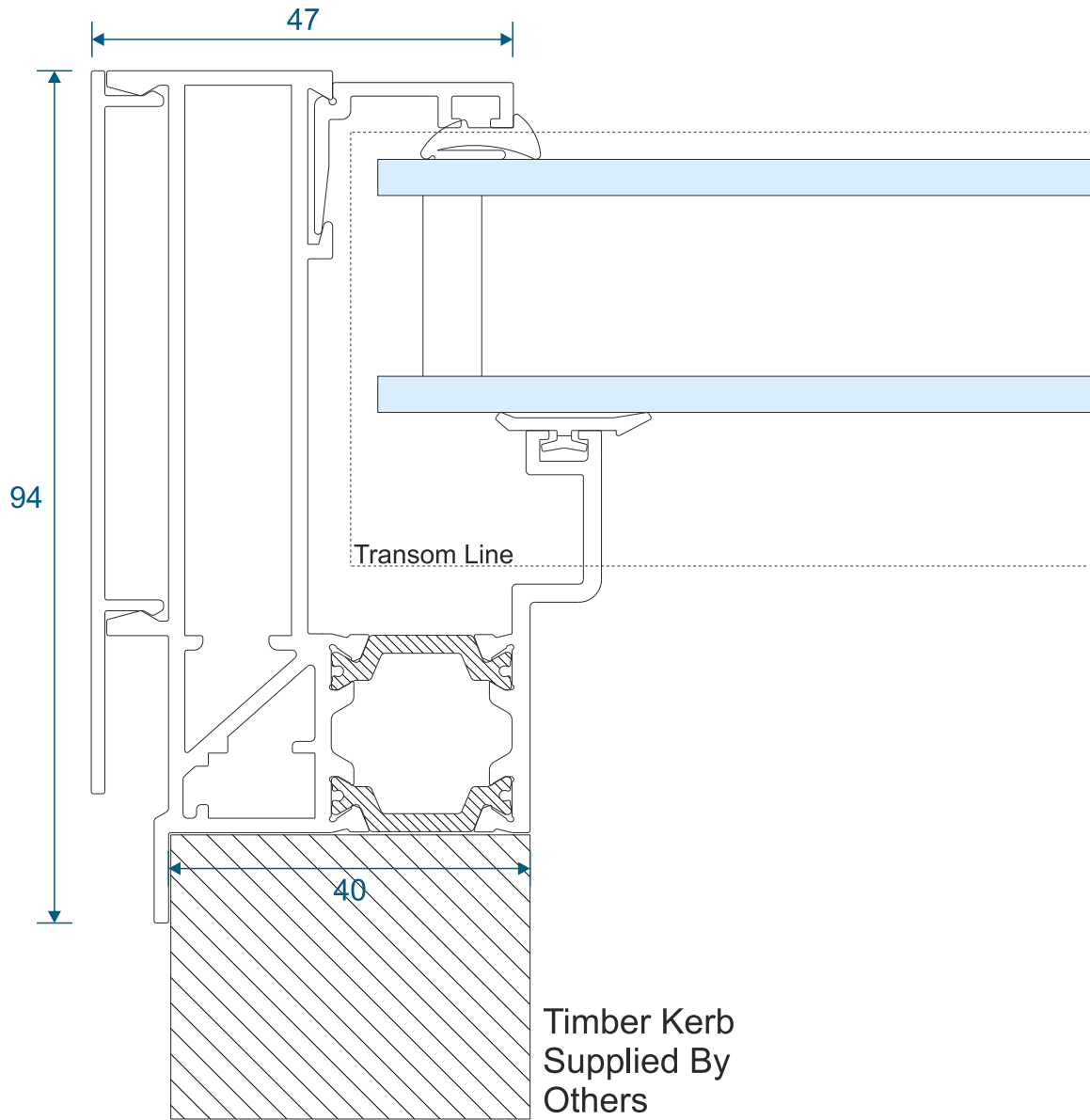


**ABD246 - Roof Vent Glazing Bead**

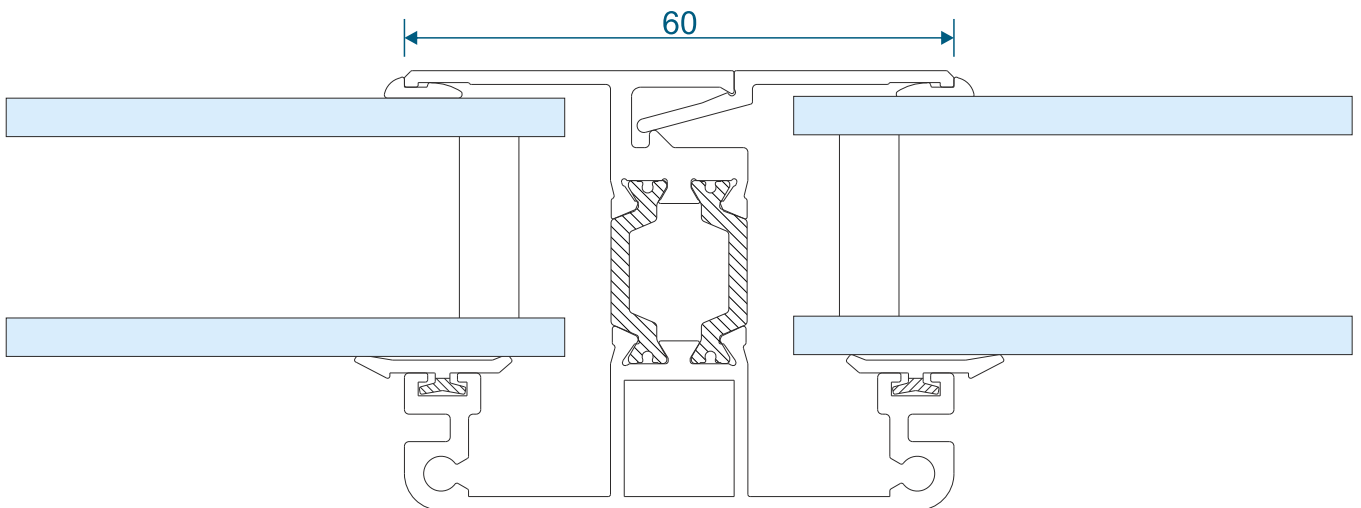


# Main Frame & Transom Section

## Main Frame

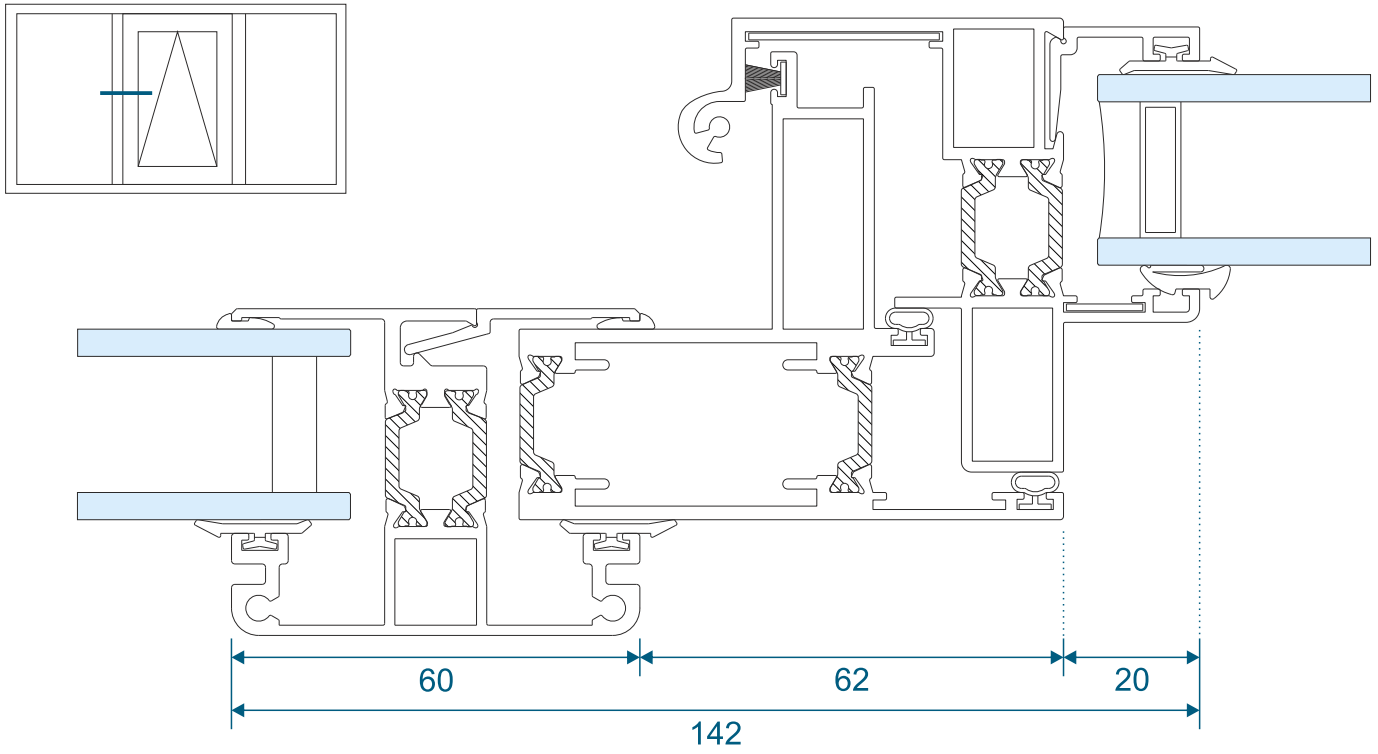


## Transom

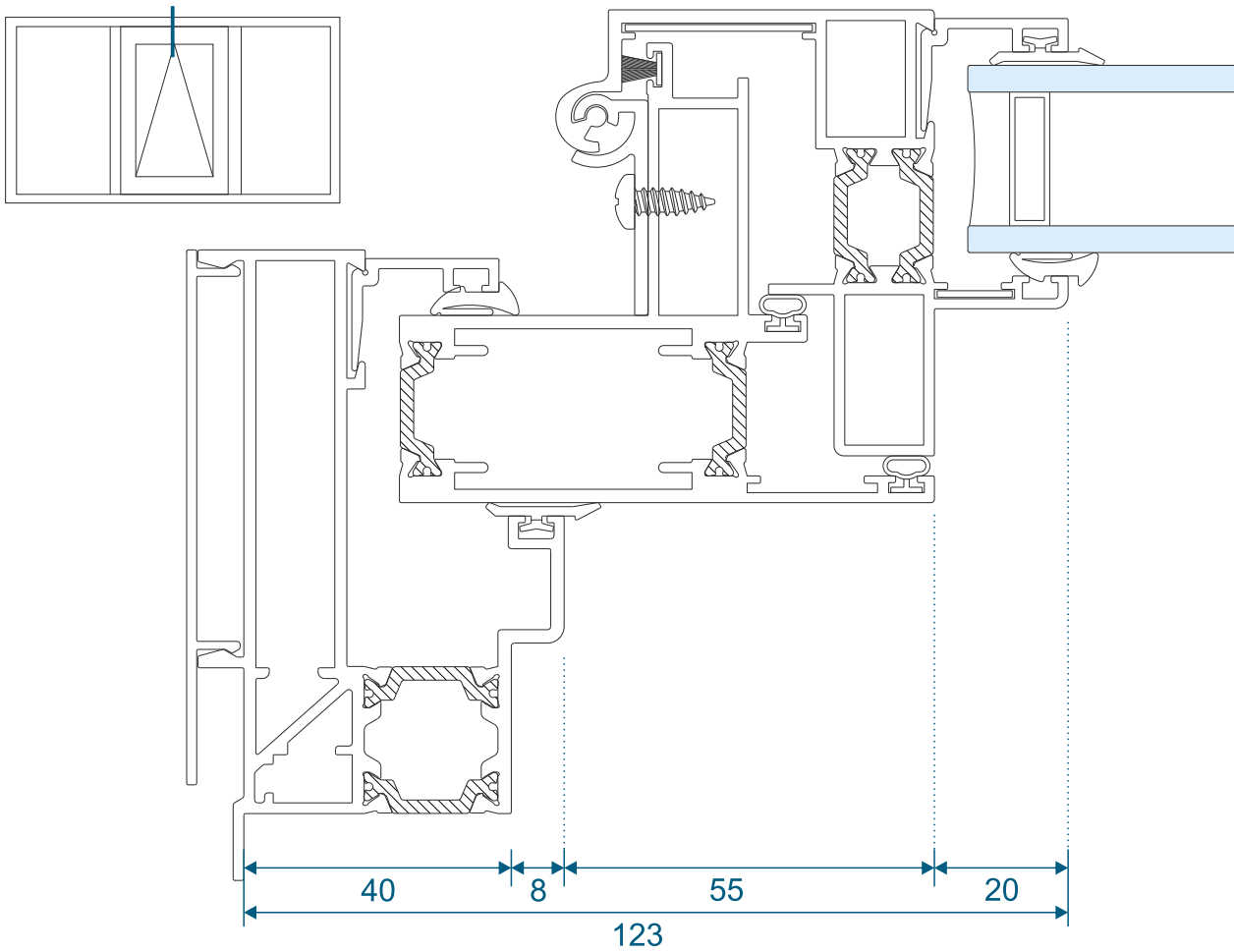


# Roof Vent Sections

## Opener To Transom



## Opener To Main Frame



### **Main Office & Factory**

Units 4-5,                    t: 01268 681612 (20 lines)  
Charfleets Road,        f: 01268 510058  
Canvey Island,         e: sales@duration.co.uk  
Essex. SS8 0PQ         w: www.duration.co.uk

### **Grand Design Exhibition Centre**

Unit 1 Casino Parade,    t: 01268 695100  
Eastern Esplanade,  
Canvey Island,            SatNav Directions  
Essex. SS8 7FJ            Use: SS8 7DN.